

mita[®]

STDF-2

PARTS LIST

Published in Apr.'98
19270771
Revision 1

STDF-2

NOTE

1. Indicate parts number and machine model when placing an order.

eg.	Parts Number	Parts Name	Machine Model	Cycle	Quantity
	19211010	COVER ADF	STDF-2	60Hz	1

2. Service calls and freight will be charged separately.

3. Symbols in the "Parts Number" column.

- Parts with "." are component parts or sub-assemblies of the assembly appearing immediately above them.

eg.	Parts Number	Parts Name	Parts Number	Parts Name
	35927221	JUNCTION WIRING,ADF	•J0450030	PLUG,DF3-3S-2C(HIROSE)
			•J0200060	PLUG,PHR-6(JST)

- Parts with "••" are component parts or sub-assembly with "." appearing immediately above them.

eg.	Parts Number	Parts Name	Parts Number	Parts Name
	•35900241	SEPARTION PULLEY ADF ASS'Y	••35911150	PULLEY,ADF LOOP
			••35911711	COLLAR,SEPARTION ADF

4. See the last page of this parts list for the classification of the screws in the illustrations.

Parts List

STDF-2

———— CONTENTS ————

FIG.1	EXTERIOR COVERS	2
FIG.2	PAPER FEED-IN SECTION	4
FIG.3	PAPER EJECT SECTION	6
FIG.4	ACCESSORIES	8
	• INDEX	10

FIG. 1 EXTERIOR COVERS

192-1

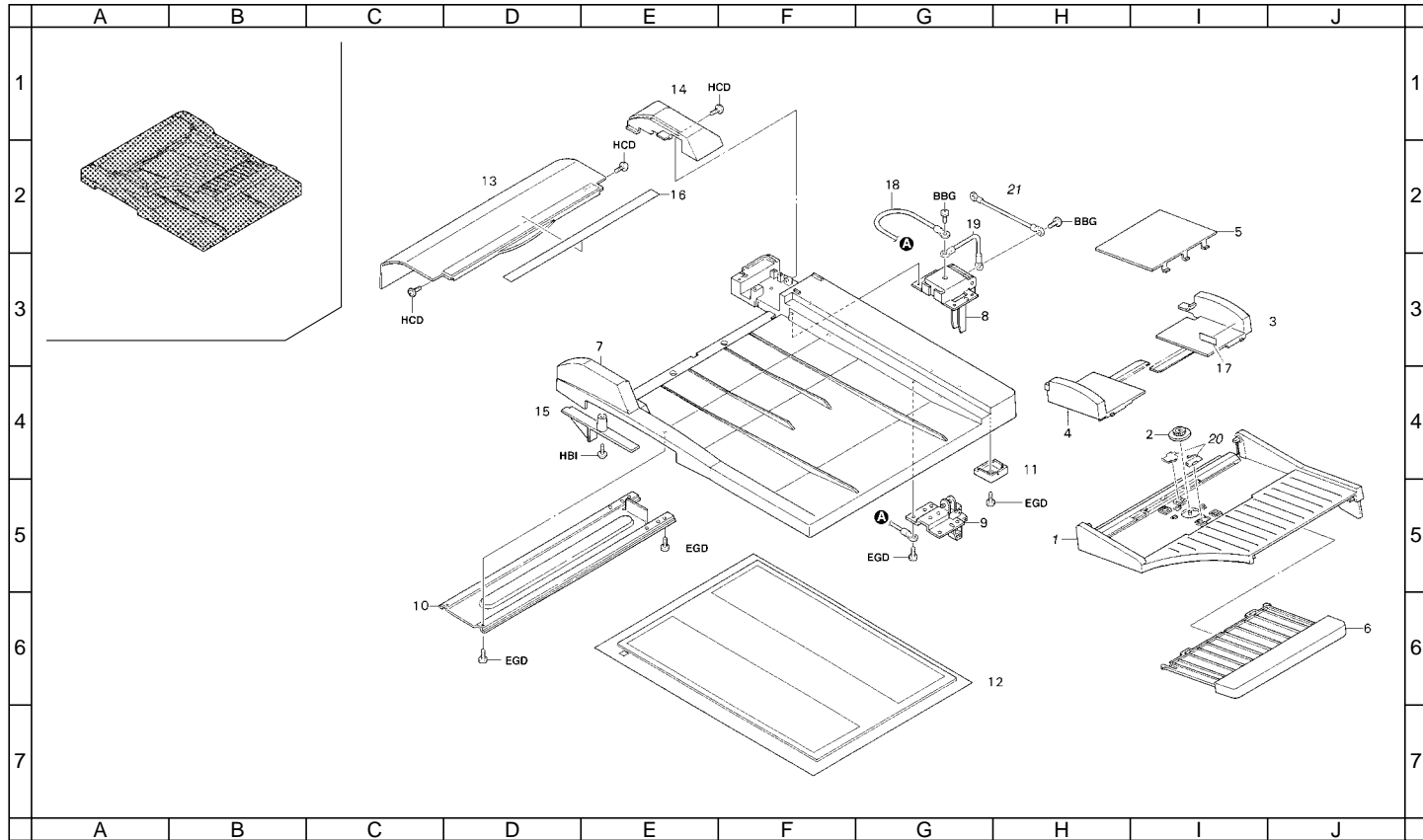


FIG. 1 EXTERIOR COVERS

Ref. No.	Part. No.	Description	Quantity USA (120V)
1	35911461	TABLE,ADF	1
2	65907210	GEAR 20,CASSETTE	1
3	35911480	REAR CURSOR,ADF	1
4	35911490	FRONT CURSOR,ADF	1
5	35911511	LID,CURSOR ADF (METRIC)	1
6	35911500	TRAY,ADF SUB	1
7	35911012	BASE,ADF	1
8	35911571	LEFT HINGE	1
9	35911600	RIGHT HINGE	1
10	35911610	REINFORCEMENT,BASE ADF	1
11	66012180	ACTUTATION PLATE,ORIGINAL DETECTION SWITCH	1
12	35911470	MAT,ORIGINAL HOLDER	1
13	35911060	COVER,PAPER FEED ADF	1
14	19211010	COVER,ADF	1
15	35911670	LID,HANDLE ADF	1
16	35911760	LABEL,INSERTION ADF (INCH)	1
17	35905130	LABEL,ORIGINAL UPPER LIMIT (INCH)	1
18	35927830	GROUND WIRE,HING	1
19	35927840	GROUND WIRE, LEFT HINGE	1
20	35911920	PLATE SPRING,TABLE	2
21	19227020	WIRE,GROUND WIRE ADF	1

• Parts with "*" are component parts or sub-assemblies of the assembly appearing immediately above them.

• Parts with "**" are component parts or sub-assembly with "*" appearing immediately above them.

FIG. 2 PAPER FEED-IN SECTION

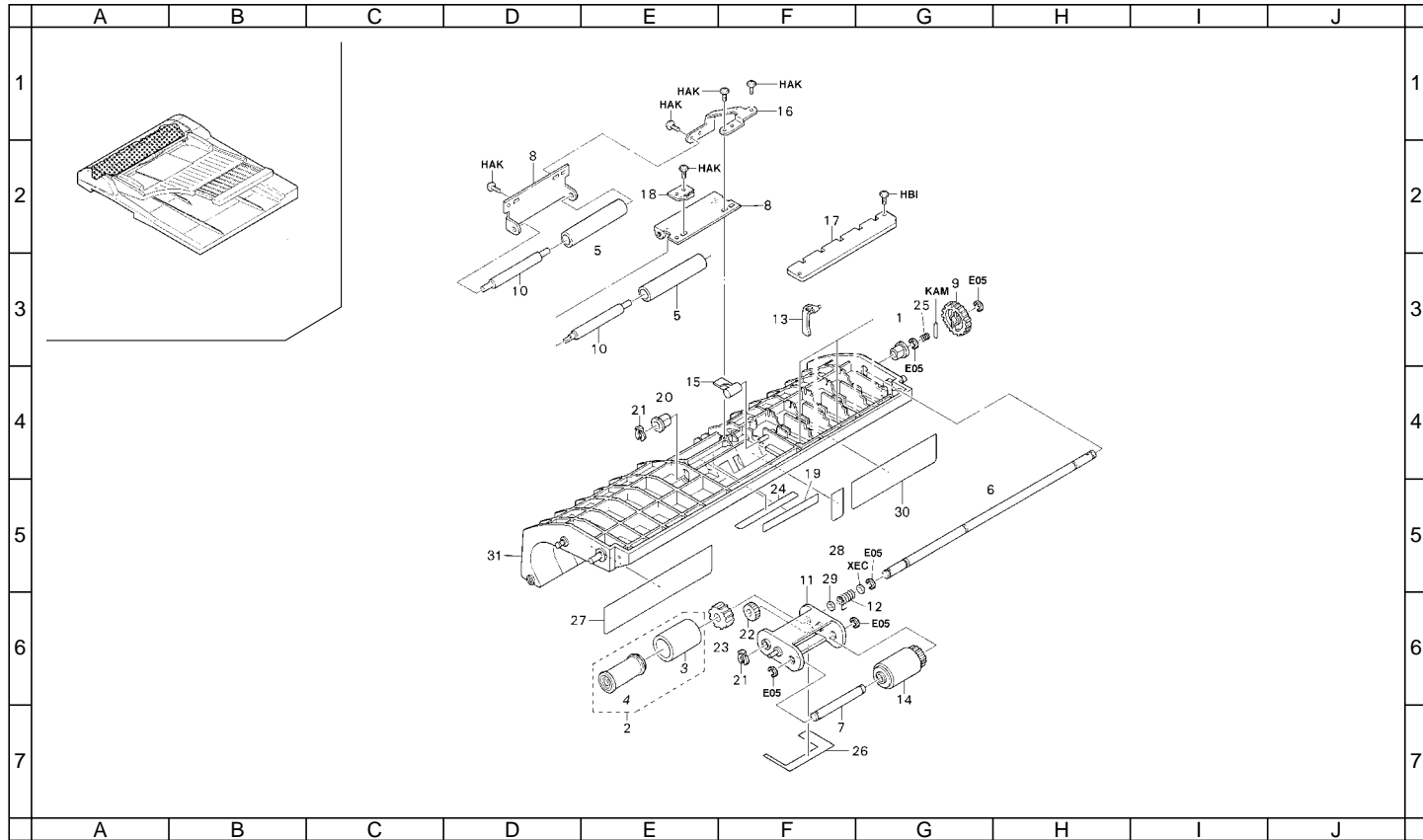


FIG. 2 PAPER FEED-IN SECTION

Ref. No.	Part. No.	Description	Quantity USA (120V)
1	29806810	BUSHING,6 REGISTRATION	1
2	35900230	PAPER FEED PULLEY ADF ASS'Y	1
3	*35911140	PULLEY,PAPER FEED ADF	1
4	*35911700	COLLAR,PAPER FEED ADF	1
5	35911160	PULLEY,CONVEYING ADF	2
6	35911180	SHAFT,ADF PAPER FEED PULLEY	1
7	35911190	SHAFT,ADF LEADING FEED PULLEY	1
8	35911220	PLATE SPRING,CONVEYING PULLEY ADF	2
9	35911270	GEAR 31,PAPER FEED	1
10	35911290	SHAFT,CONVEYING PULLEY ADF	2
11	35911330	MOUNT,LEADING FEED PULLEY	1
12	35911340	SPRING,ADF LEADING FEED	1
13	35911400	ACTUATOR,PAPER DETECTION	5
14	35911530	PULLEY,LEADING FEED ADF	1
15	35911540	STOPPER,ORIGINAL	1
16	35911650	GROUND PLATE,ADF EJECT	1
17	35911660	HOLDER,PE ADF	1
18	35911720	GROUND PLATE,PAPER FEED ADF	1
19	35911780	FILM,CONVEYING PULLEY ADF	1
20	60606101	BUSHING FEED BACK ROLLER	1
21	75812080	STOP RING 4	2
22	76218110	IDLE GEAR 14 TONER DISPOSAL	1
23	35911790	GEAR 20,PAPER FEED PULLEY	1
24	35911800	FILM,PAPER FEED PULLEY	1
25	35911860	SQUARE SPRING,ADF PAPER FEED SHAFT	1
26	35911870	FILM,PAPER FEED	1
27	35911820	FRONT FILM,ADF CONVEYING	1
28	35911830	REAR FILM,ADF CONVEYING	1
29	35911910	SEAL,ADF PAPER FEED SHAFT	1
30	35911840	INNER FILM,ADF CONVEYING	1
31	35911031	UPPER HOUSING,ADF	1

• Parts with "*" are component parts or sub-assemblies of the assembly appearing immediately above them.

• Parts with "*•" are component parts or sub-assembly with "*" appearing immediately above them.

FIG. 3 PAPER EJECT SECTION

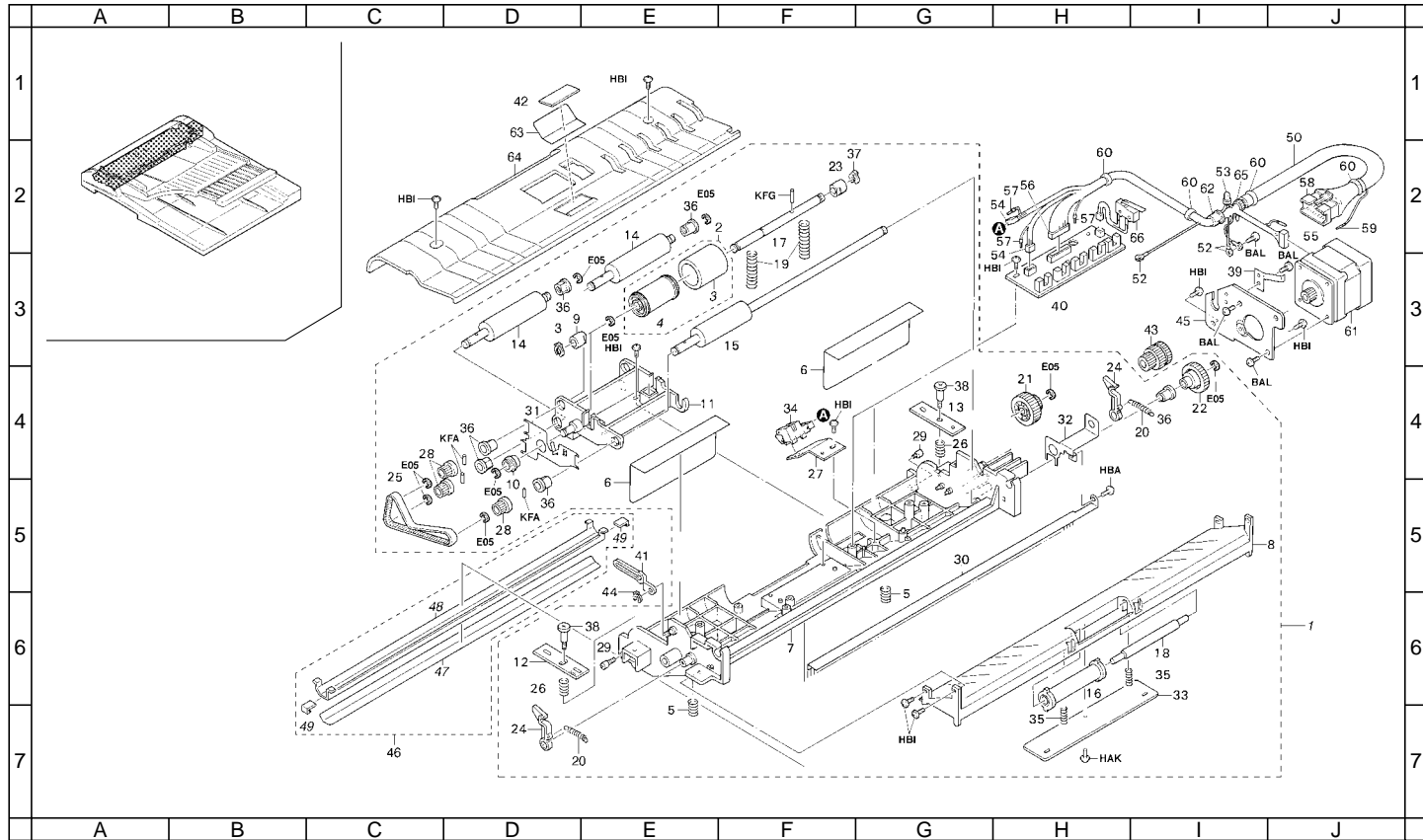


FIG. 3 PAPER EJECT SECTION

Ref. No.	Part. No.	Description	Quantity USA (120V)
1	35968270	ADF ASS'Y (SP)	1
2	*35900241	SEPARATION PULLEY ADF ASS'Y	1
3	**35911150	PULLEY,ADF LOOP	1
4	**35911711	COLLAR,SEPARATION ADF	1
5	*63502400	SPRING A,TONER DETECTION	2
6	*35911810	LOWER FILM,ADF HOUSING	2
7	*35911042	LOWER HOUSING,ADF	1
8	*35911052	HOUSING,EJECT ADF	1
9	*72107160	BUSHING 6,LOWER REGISTRATION ROLLER	1
10	*35911890	PULLEY,ADF DRIVE	1
11	*35911091	MOUNT BASE,DRIVE	1
12	*35911100	FRONT MOUNT,ADF HOUSING	1
13	*35911110	REAR MOUNT,ADF HOUSING	1
14	*35911120	ROLLER,CONVEYING ADF	2
15	*35911130	ROLLER,EJECT ADF	1
16	*35911171	PULLEY,EJECT ADF	1
17	*35911201	SHAFT,ADF SEPARATION PULLEY	1
18	*35911210	SHAFT,ADF EJECT PULLEY	1
19	*35911240	SPRING,ADF SEPARATION PULLEY	2
20	*65011400	SPRING,ADF HOOK	2
21	*35911260	GEAR 15/29	1
22	*35911280	GEAR 28,EJECT	1
23	*65011360	BUSHING 6,LOOP	1
24	*35911360	HOOK,ADF	2
25	*35911420	BELT 95,ADF	1
26	*35911430	LOWER SPRING,HOUSING ADF	2
27	*35911440	MOUNT,TIMING SWITCH	1
28	*35911520	PULLEY 16,ADF	3
29	*63511541	PIN,ADF	2
30	*35911620	STATIC ELIMINATOR,ADF	1
31	*35911630	GROUND PLATE,ADF CONVEYING	1
32	*35911640	GROUND PLATE,ADF DRIVE	1
33	*35911691	HOLDER,EJECT ROLLER	1
34	*35927270	SWITCH,ADF TIMING	1
35	*35911731	SPRING,EJECT PULLEY ADF	2
36	*29806810	BUSHING,6 REGISTRATION	6
37	*75812080	STOP RING 4	2
38	*73912281	PIN,ORIGINAL HOLDER	2
39	35911720	GROUND PLATE,PAPER FEED ADF	1
40	35993382	PARTS,ADF SIZE DETECTION PCB(SP)	1

* Parts with "*" are component parts or sub-assemblies of the assembly appearing immediately above them.

192-1

Ref. No.	Part. No.	Description	Quantity USA (120V)
41	35911560	JUNCTION PLATE,HOUSING	1
42	35911350	PAD,ADF PAPER FEED	1
43	35911250	GEAR 15/21/34	1
44	65016080	STOP RING E3	1
45	35911080	MOUNT,MOTOR ADF	1
2	35900250	SHADING ADF ASS'Y	1
47	*35911380	SHEET,SHADING ADF	1
48	*35911390	HOLDER,SHADING SHEET	1
49	*35911750	SPACER,SHADING ADF	2
50	35927221	JUNCTION WIRING,ADF	1
52	*L0221060	ROUND TYPE TERMINAL M3,SRA-21T-3	3
53	*L4040000	CLOSE TYPE TERMINAL,0.5-1.75,CE-1	1
54	*J0450030	PLUG,DF3-3S-2C(HIROSE)	2
55	*J0200060	PLUG,PHR-6(JST)	1
56	*J0450100	PLUG,DF3-10S-2C(HIROSE)	1
57	*J0450900	SOCKET,DF3-2428SC(HIROSE)	16
58	*J0243180	RECEPTACLE SM 18P,SMR-18V-B	1
59	*J0242900	PIN SM,BYP-001T-0.6	18
60	*M2607010	BINDING BAND,PLT1M	4
61	19293010	PARTS MOTOR ADF(SP)	1
62	M1203200	OPEN BUSHING,OCB-375	1
63	35911850	FILM,GUIDE ADF PAPER FEED	1
64	35911071	GUIDE,PAPER FEED ADF	1
65	M2107120	BINDING BAND SG-130	1
66	35927232	SWITCH,ADF RELEASE	1

* Parts with "*" are component parts or sub-assembly with "*" appearing immediately above them.

FIG. 4 ACCESSORIES

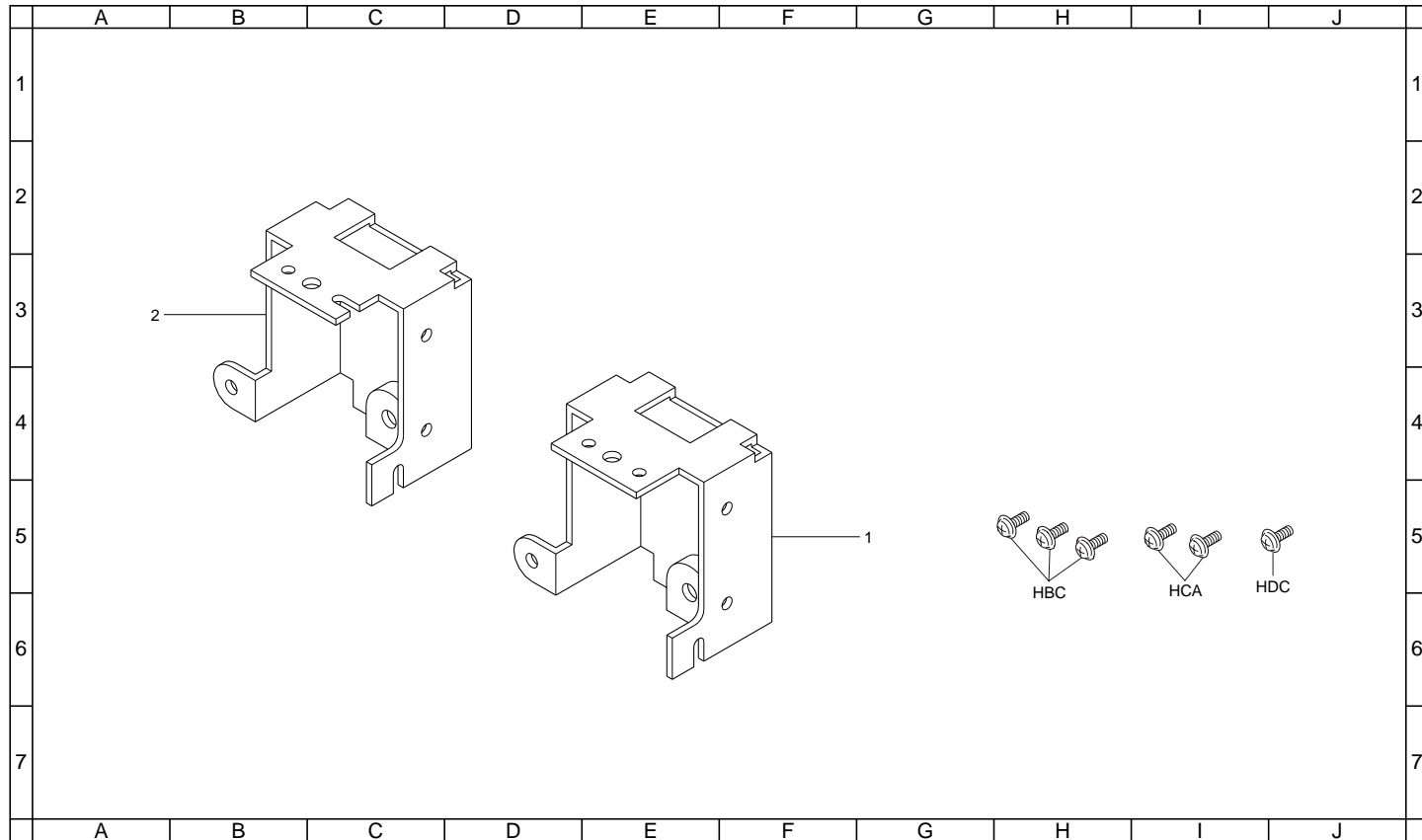


FIG. 4 ACCESSORIES

Ref. No.	Part. No.	Description	Quantity USA (120V)
1	35911580	RIGHT MOUNT,HINGE	1
2	35911590	LEFT MOUNT,HINGE	1

• Parts with "*" are component parts or sub-assemblies of the assembly appearing immediately above them.

INDEX

192-1

Part. No.	Description	Quantity USA (120V)	Fig. No.
19211010	COVER,ADF	1	1
19227020	WIRE,GROUND WIRE ADF	1	1
19293010	PARTS MOTOR ADF(SP)	1	3
29806810	BUSHING,6 REGISTRATION	7	2, 3
35900230	PAPER FEED PULLEY ADF ASS'Y	1	2
35900241	SEPARATION PULLEY ADF ASS'Y	1	3
35900250	SHADING ADF ASS'Y	1	3
35905130	LABEL,ORIGINAL UPPER LIMIT (INCH)	1	1
35911012	BASE,ADF	1	1
35911031	UPPER HOUSING,ADF	1	2
35911042	LOWER HOUSING,ADF	1	3
35911052	HOUSING,EJECT ADF	1	3
35911060	COVER,PAPER FEED ADF	1	1
35911071	GUIDE,PAPER FEED ADF	1	3
35911080	MOUNT,MOTOR ADF	1	3
35911091	MOUNT BASE,DRIVE	1	3
35911100	FRONT MOUNT,ADF HOUSING	1	3
35911110	REAR MOUNT,ADF HOUSING	1	3
35911120	ROLLER,CONVEYING ADF	2	3
35911130	ROLLER,EJECT ADF	1	3
35911140	PULLEY,PAPER FEED ADF	1	2
35911150	PULLEY,ADF LOOP	1	3
35911160	PULLEY,CONVEYING ADF	2	2
35911171	PULLEY,EJECT ADF	1	3
35911180	SHAFT,ADF PAPER FEED PULLEY	1	2
35911190	SHAFT,ADF LEADING FEED PULLEY	1	2
35911201	SHAFT,ADF SEPARATION PULLEY	1	3
35911210	SHAFT,ADF EJECT PULLEY	1	3
35911220	PLATE SPRING,CONVEYING PULLEY ADF	2	2
35911240	SPRING,ADF SEPARATION PULLEY	2	3
35911250	GEAR 15/21/34	1	3
35911260	GEAR 15/29	1	3
35911270	GEAR 31,PAPER FEED	1	2
35911280	GEAR 28,EJECT	1	3
35911290	SHAFT,CONVEYING PULLEY ADF	2	2
35911330	MOUNT,LEADING FEED PULLEY	1	2
35911340	SPRING,ADF LEADING FEED	1	2
35911350	PAD,ADF PAPER FEED	1	3
35911360	HOOK,ADF	2	3
35911380	SHEET,SHADING ADF	1	3
35911390	HOLDER,SHADING SHEET	1	3
35911400	ACTUATOR,PAPER DETECTION	5	2

Part. No.	Description	Quantity USA (120V)	Fig. No.
35911420	BELT 95,ADF	1	3
35911430	LOWER SPRING HOUSING ADF	2	3
35911440	MOUNT,TIMING SWITCH	1	3
35911461	TABLE,ADF	1	1
35911470	MAT,ORIGINAL HOLDER	1	1
35911480	REAR CURSOR,ADF	1	1
35911490	FRONT CURSOR,ADF	1	1
35911500	TRAY,ADF SUB	1	1
35911511	LID,CURSOR ADF (METRIC)	1	1
35911520	PULLEY 16,ADF	3	3
35911530	PULLEY,LEADING FEED ADF	1	2
35911540	STOPPER,ORIGINAL	1	2
35911560	JUNCTION PLATE,HOUSING	1	3
35911571	LEFT HINGE	1	1
35911580	RIGHT MOUNT,HINGE	1	4
35911590	LEFT MOUNT,HINGE	1	4
35911600	RIGHT HINGE	1	1
35911610	REINFORCEMENT,BASE ADF	1	1
35911620	STATIC ELIMINATOR,ADF	1	3
35911630	GROUND PLATE,ADF CONVEYING	1	3
35911640	GROUND PLATE,ADF DRIVE	1	3
35911650	GROUND PLATE,ADF EJECT	1	2
35911660	HOLDER,PE ADF	1	2
35911670	LID,HANDLE ADF	1	1
35911691	HOLDER,EJECT ROLLER	1	3
35911700	COLLAR,PAPER FEED ADF	1	2
35911711	COLLAR,SEPARATION ADF	1	3
35911720	GROUND PLATE,PAPER FEED ADF	2	2, 3
35911731	SPRING,EJECT PULLEY ADF	2	3
35911750	SPACER,SHADING ADF	2	3
35911760	LABEL,INSERTION ADF (INCH)	1	1
35911780	FILM,CONVEYING PULLEY ADF	1	2
35911790	GEAR 20,PAPER FEED PULLEY	1	2
35911800	FILM,PAPER FEED PULLEY	1	2
35911810	LOWER FILM,ADF HOUSING	2	3
35911820	FRONT FILM,ADF CONVEYING	1	2
35911830	REAR FILM,ADF CONVEYING	1	2
35911840	INNER FILM,ADF CONVEYING	1	2
35911850	FILM,GUIDE ADF PAPER FEED	1	3
35911860	SQUARE SPRING,ADF PAPER FEED SHAFT	1	2
35911870	FILM,PAPER FEED	1	2
35911890	PULLEY,ADF DRIVE	1	3

Part. No.	Description	Quantity USA (120V)	Fig. No.
35911910	SEAL,ADF PAPER FEED SHAFT	1	2
35911920	PLATE SPRING TABLE	2	1
35927221	JUNCTION WIRING,ADF	1	3
35927232	SWITCH,ADF RELEASE	1	3
35927270	SWITCH,ADF TIMING	1	3
35927830	GROUND WIRE,HING	1	1
35927840	GROUND WIRE,LEFT HINGE	1	1
35968270	ADF ASS'Y(SP)	1	3
35993382	PARTS,ADF SIZE DETECTION PCB(SP)	1	3
60606101	BUSHING FEED BACK ROLLER	1	2
63502400	SPRING A,TONER DETECTION	2	3
63511541	PIN,ADF	2	3
65011360	BUSHING 6,LOOP	1	3
65011400	SPRING,ADF HOOK	2	3
65016080	STOP RING E3	1	3
65907210	GEAR 20,CASSETTE	1	1
66012180	ACTUTATION PLATE,ORIGINAL DETECTION	1	1
72107160	BUSHING 6,LOWER REGISTRATION ROLLER	1	3
73912281	PIN,ORIGINAL HOLDER	2	3
75812080	STOP RING 4	4	2, 3
76218110	IDLE GEAR 14 TONER DISPOSAL	1	2
J0200060	PLUG,PHR-6(JST)	1	3
J0242900	PIN SM,BYP-001T-0.6	18	3
J0243180	RECEPTACLE SM 18P,SMR-18V-B	1	3
J0450030	PLUG,DF3-3S-2C(HIROSE)	2	3
J0450100	PLUG,DF3-10S-2C(HIROSE)	1	3
J0450900	SOCKET,DF3-2428SC(HIROSE)	16	3
L0221060	ROUND TYPE TERMINAL M3,SRA-21T-3	3	3
L4040000	CLOSE TYPE TERMINAL,0.5-1.75,CE-1	1	3
M1203200	OPEN BUSHING,OCB-375	1	3
M2107120	BINDING BAND SG-130	1	3
M2607010	BINDING BAND,PLT1M	4	3

CLASSIFICATION OF THE SCREWS IN ILLUSTRATION

<u>REF.</u>	<u>ITEM #</u>	<u>DESCRIPTION</u>
BAL	B1003050	BINDING SCREW CVM3X5
BBG	B1304100	BINDING SCREW BVM4X10 (BLACK)
EGD	B3304080	BIND TAPPING SCREW M4X8(B TYP.BLACK)
E05	D1000500	STOP RING (E-5)
HAK	B4003060	TRIPLE SEREW M3X6
HBA	B4303050	TRIPLE SCREW M3X5 (BLACK)
HBC	B4304060	TRIPLE SCREW M4X6 (BLACK)
HBI	B4303080	TRIPLE SCREW M3X8(BLACK)
HCA	B4104060	TRIPLE SCREW M4X06(CHROMIUM)
HCD	B4103080	TRIPLE SCREW M3X08(CHROMIUM)
HDC	B4344080	TRIPLE TAP-TITE P SCREW M4X08(BLACK)
KAM	E0020120	SPRING PIN 2X12
KFA	E5120080	SPRING PIN H7A 2X8 SUS
KFG	E6120100	SPRING PIN H7A 2X10 SUS
XEC	C2895950	SHIM 6.2-1.0T

MITA COPYSTAR AMERICA, INC.

Headquarters:

225 Sand Road, P.O. Box 40008
Fairfield, New Jersey 07004-0008
TEL : (973) 808-8444
FAX : (973) 882-6000

New York Show Room:

149 West 51st street,
New York, NY 10019
TEL : (212) 554-2679
FAX : (212) 554-2625

Northeastern Region:

225 Sand Road, P.O. Box 40008
Fairfield, New Jersey 07004-0008
TEL : (973) 808-8444
FAX : (973) 882-4401

Midwestern Region:

225 Spring Lake Drive,
Itasca, Illinois 60143
TEL : (630) 250-7447
FAX : (630) 250-8787

Western Region:

14101 Alton Parkway,
P.O.Box 57006,Irvine,
California 92618-7006
TEL : (714) 457-9000
FAX : (714) 457-9119

Southeastern Region:

1500 Oakbrook Drive,
Norcross, Georgia 30093
TEL : (770) 729-9786
FAX : (770) 729-9873

Southwestern Region:

2825 West Story Road,
Irving, Texas 75038-5299
TEL : (972) 550-8987
FAX : (972) 570-4704

Dallas Parts Distribution Center & National Training Center:

2825 West Story Road,
Irving, Texas 75038-5299
TEL : (972) 659-0055
FAX : (972) 570-5816

MITA COPYSTAR CANADA, LTD.

6120 Kestrel Road,
Mississauga, Ontario L5T 1S8
TEL : (905) 670-4425
FAX : (905) 670-8116

MITA COPYSTER SOUTH AMERICA S.A.

Av. Mitre 1345 Florida (1602)
Pcia, Buenos Aires,Argentina
TEL : (54) 1-730-1070
FAX : (54) 1-760-2071

MITA COPYSTAR MEXICO, S.A. DE C.V.

Av. 16 de Septiembre #407
Col. Santa Inés,
Delegación Azcapotzalco
México, D.F. C.P. 02130
TEL : 3-83-27-41
FAX : 3-83-78-04

© 1998 MITA INDUSTRIAL CO., LTD.

MITA and *mita* are registered trademarks of MITA INDUSTRIAL CO., LTD.

Printed in U.S.A.